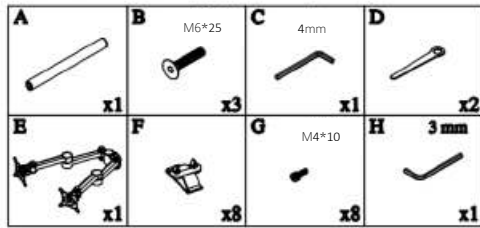
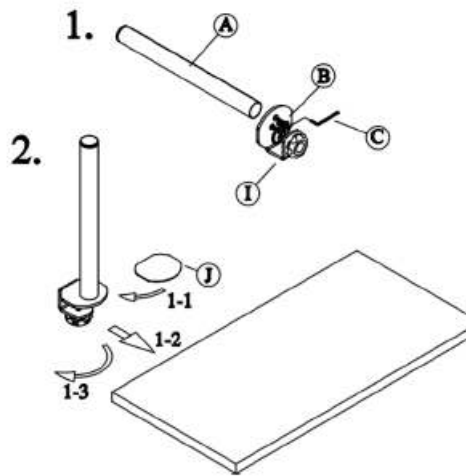


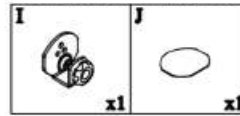
# FSA Twin



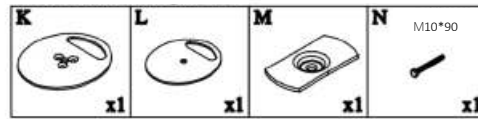
Option A Clamp to edge



Option A Clamp to edge



Option B Through desk



Option B Through desk

