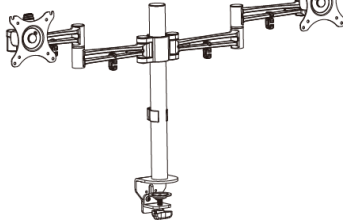


# Double Strela



Item No.:DLB212-BL

Installation guide



M4x12MM A(8PCS)    M5x12MM B(8PCS)    M6x20MM C(3PCS)    M6x10MM D(2PCS)  
 #6.5x#13x2 E(16PCS)    4X4MM F(1PC)    5X3MM G(1PC)

1. Tube cover (1 PCS)
2. VESA plate (2 PCS)
3. Monitor Arm (1 PCS)
4. Fixed Wreath (1 PCS)
5. Tube (1 PCS)
6. Cable Clip 1 (1 PCS)
7. Anti-slip Rubber (1 PCS)
8. Bottom Support (1 PCS)
9. Adjustable Clamp (1 PCS)
10. Decorative cover (4 PCS)
11. 3x3mm Allen Key (1 PCS)
12. Cable Clip 2 (4PCS)



## STEP 1

Clamp Installation

Please select the appropriate mounting holes according to the thickness of desk

Tighten

Suggested Desktop Thickness: 18-35mm

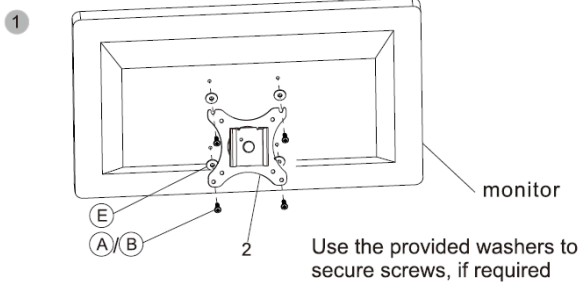
## STEP 2

Installing the Arm

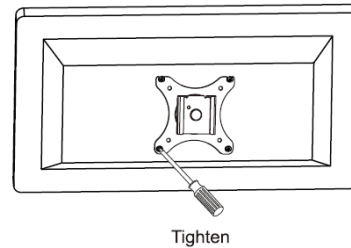
**Warning**  
Make sure the screw is tight enough before hanging the monitor.

### STEP3

#### Attaching the VESA Plate to the Monitor

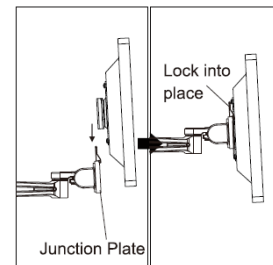
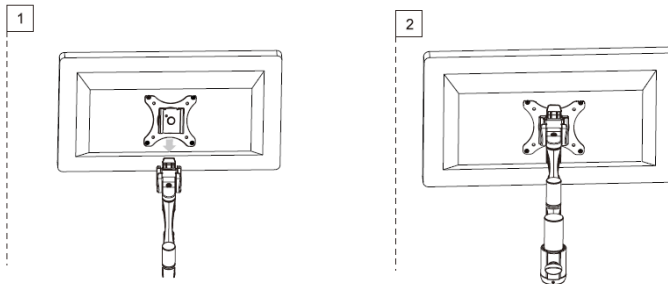


#### 2 Tighten the Screws



### STEP4

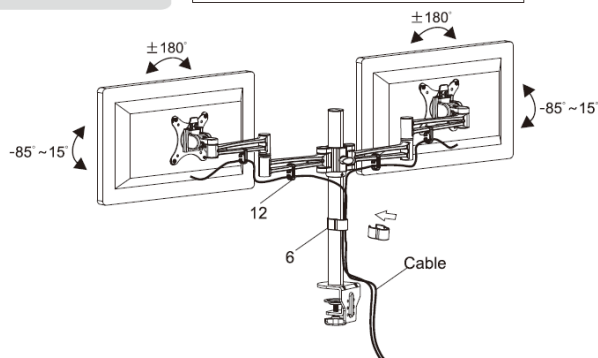
#### Attaching the VESA Plate to the Arm



Slides on and clips into the junction plate, make sure it locked into place.

### STEP5

#### Cable Management & Monitor Adjustment



Adjust the screw with 5x5 Allen Key to keep the monitor in balance.



### CAUTION

This product contains small items that could be a choking hazard if swallowed. Keep these items away from young children.

- Make sure these instructions are read and completely understood before attempting installation. If you are unsure of any part of this installation, please contact a professional installer for assistance.
- The desk or mounting surface must be capable of supporting the combined weight of the mount and the display, otherwise the structure must be reinforced.
- Please check joint parts every two months, and tighten screws where necessary.

This product was designed to be installed on a desk. Before installing, make sure the mount will support the combined load of the equipment and hardware. Never exceed the maximum load capacity 10 KG, or else it may result in product failure or personal injury.

Note: this product is intended for indoor use only. Use of this product outdoors could lead to product failure or personal injury.