

PORT EL

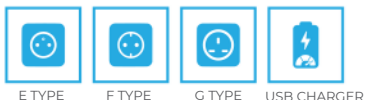
INdeskpower module



Port El provides a combination of AC power sockets, USB PD and QC fast chargers, and up to two media connections in a compact 80mm grommet unit popular in meeting areas. Port El can be easily installed on the desk, sofa lounge, or night table so it brings power and connectivity right where you need it. Your formal or informal meeting area will be provided with a product of excellent durability and fine appearance. Port El's modular parts are available in three colours with an elegant silver ring as a standard. Black or white ring colours available subject to order quantity.



AVAILABLE SOCKET TYPES:



E TYPE F TYPE G TYPE USB CHARGER

AVAILABLE MEDIA CONNECTIONS:



DATA USB HDMI



FASCIAS ● ○ ●

USP

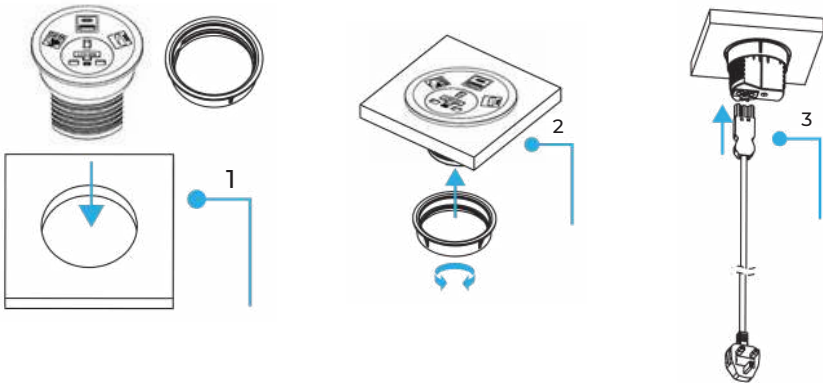
CERTIFIED WITH THE BSI KITEMARK KM 686563 (UK),
IEC 60884-1:2002 + A1:2006 AND IEC 60884-2-7:2011 + A1:2013 (EUROPE)
AVAILABLE IN DIFFERENT COLOURS WITH ALUMINIUM CHROME RING
DESIGNED TO FIT INTO AN 80 MM PORT HOLE AND
DESK THICKNESS BETWEEN 15 AND 45MM
LOCKING RING ENABLES PERFECT FIXATION WITH NO EFFORT
AVAILABLE WITH 35W USB A+C CHARGER (PD & QC)
AVAILABLE WITH A CHOICE OF INTERNATIONAL AC POWER SOCKET
OPTIONS

APPROVALS & CERTIFICATES:



INSTALLATION

Make Ø80mm cutout. Ensure that there is sufficient clearance, 150mm below the surface and 30 mm between the cutout edge and the edge of the work surface.

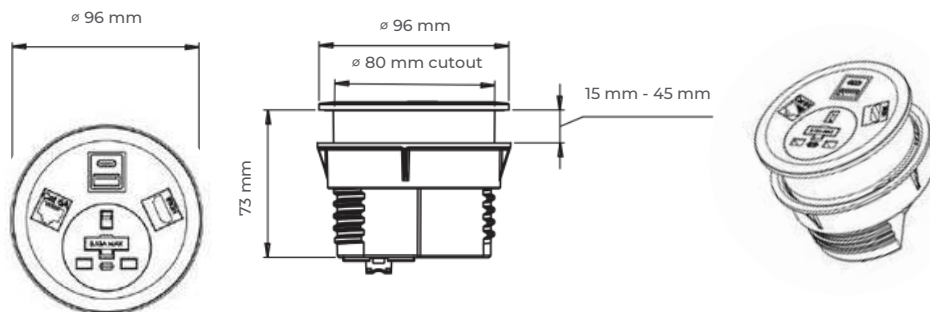


STEP 1. Remove the locking ring and place the module in the desk cutout.

STEP 2. Whilst twisting the locking ring, set up module orientation.

STEP 3. Connect the mains lead with the 3 Pole Connector

STANDARD DIMENSIONS



TECHNICAL

Configuration:

Power only / Power and USB A+C charger (PD & QC) combined
 Power, USB A+C charger (PD & QC), and up to two media connections combined
 Power and media connections in combined units are separated internally

Earthing: Fully earthed

Fusing (UK sockets only to enable compliance to BS6396): 5mm x 20mm ceramic fuses, with appropriate marking indicating the rating (3.15A/5A). All sockets feature integral, spare fuses.

Testing: 100% testing - continuity, polarity & earth

Testing of the USB PD & QC chargers: Output voltages, current, and power in all types of charging standard
 Port EI power modules are fully manufactured in-house using ISO 9001:2015 quality-controlled practices.

Our power modules are tested in accredited laboratories of certification houses twice a year; in-house quality control testing of each product is completed on every single power module before it leaves the factory.

Standard colours: black (RAL 9005), white (RAL 9003) and grey (RAL 9006) with silver grommet ring

Additional feature: An integrated 3 Pole Connector allows mains or connector leads to be changed to suit requirements, especially useful during moves and changes. Two or more Port EI power modules can be connected to a single main supply. Contact our representative for more information about daisy chaining.