

CHROMA

ON desk power module



An ideal solution for power and data distribution in office or home office desks, designed to promote workspace functionality and ergonomics in order to ensure maximum comfort while working. Chroma is easily installed onto the desk surface and comes with clamps (under-desk or top fix).

The product may be specified with the full range of interchangeable multimedia connections, fast chargers and country-specific AC power sockets compliant with the relevant international standards.

Chroma brings power and data connectivity to any type of desktop. Chroma provides a discrete and round design blending well on various working environments.



FASCIAS & END CAPS



BODY



USP

- CERTIFIED WITH THE BSI KITEMARK KM 686563 (UK), IEC 60884-1:2002 + A1:2006 AND IEC 60884-2-7:2011 + A1:2013 (EUROPE)
- AVAILABLE WITH A CHOICE OF COUNTRY-SPECIFIC AC POWER SOCKETS
- AVAILABLE WITH 35W USB A+C CHARGER (PD & QC)
- AVAILABLE WITH THE INTERCHANGEABLE MULTIMEDIA PLATE (IMP) SYSTEM
- UNIVERSAL CLAMPS PROVIDED FOR EITHER TOP OF THE DESK OR UNDER THE DESK INSTALLATION
- DESIGNED TO FIT DESK THICKNESS FROM 10 MM TO 35 MM



AVAILABLE SOCKET TYPES:



E TYPE F TYPE G TYPE USB CHARGER

AVAILABLE MEDIA CONNECTIONS:



DATA USB HDMI VGA AUDIO

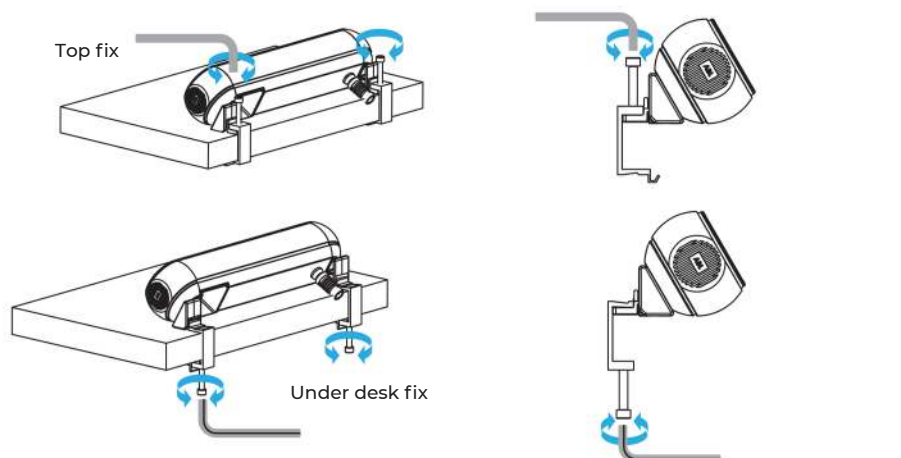
APPROVALS & CERTIFICATES:



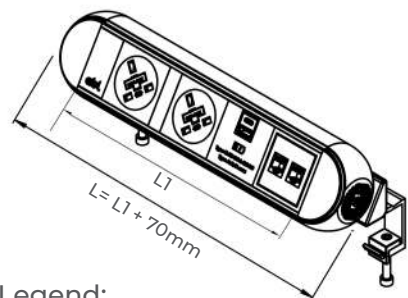


INSTALLATION

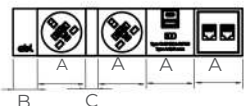
1. Place the module onto a flat surface and place the clamps on the brackets – **UNDER DESK** or **TOP FIX** (see the images)
2. Tighten the Allen key to fix the module onto the desk



STANDARD DIMENSIONS

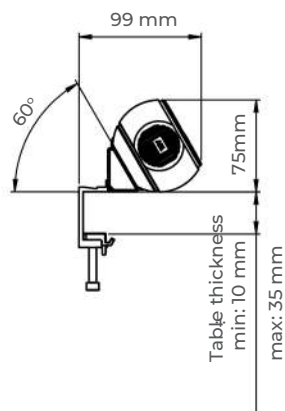


Legend:



Note: All sockets, except UK and Universal type, are manufactured without half blank plate (C). The module length depends on the required configuration and socket type.

A = 53,2 mm, B = 26,6 mm, C = 13,3 mm



TECHNICAL

Configuration: Power / Multimedia / USB A+C chargers (PD & QC) / Combined Power and Multimedia in combined units are separated internally

Earthing: Fully earthed

Fusing: (UK sockets only to enable compliance to BS6396) 5mm x 20mm ceramic fuses, with appropriate marking indicating the rating (3.15A/5A). All sockets feature integral, spare fuses patented by ABL. Choice of up to four sockets with 5A fuse, and up to six sockets with 3.15A to comply with BS6396.

Power cord: 0.5m standard lead with 3 Pole connector allows mains or connector leads to be changed to suit requirements, especially useful during moves and changes. Optionally available hardwired cable with appropriate national mains plugs.

Testing: 100% testing - continuity, polarity & earth Testing of the USB PD & QC chargers: Output voltages, electrical current, and power in all types of charging standard.

All Chroma power modules are fully manufactured in-house using ISO 9001:2015 quality-controlled practices.

Our power modules are tested in accredited laboratories of certification houses twice a year; while in-house quality control testing of each product is completed on every single power module before it leaves the factory.