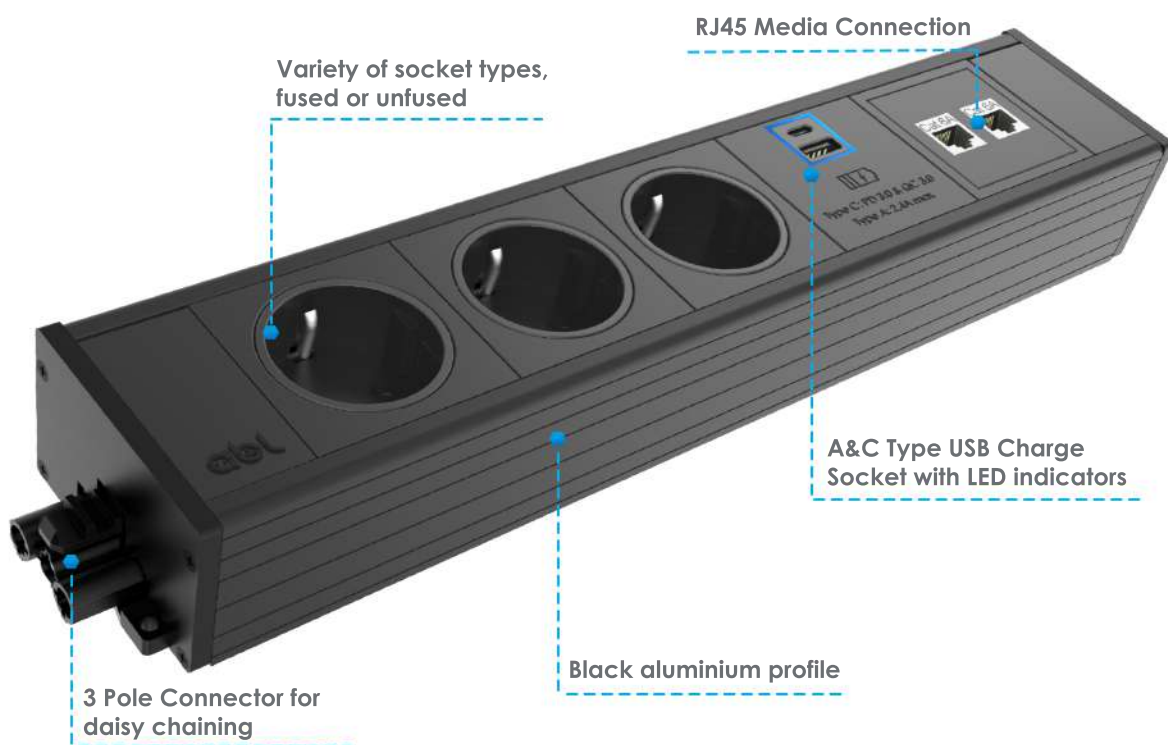


UNDER DESK POWER MODULE UDM

UDM is an easily installed, under desk power module. It is custom made, allowing the choice of different socket types, USB charge socket and RJ45 media connection. The integrated 3 Pole Connector allows daisy chaining with multiple UDM modules or other similar devices, up to six sockets max.



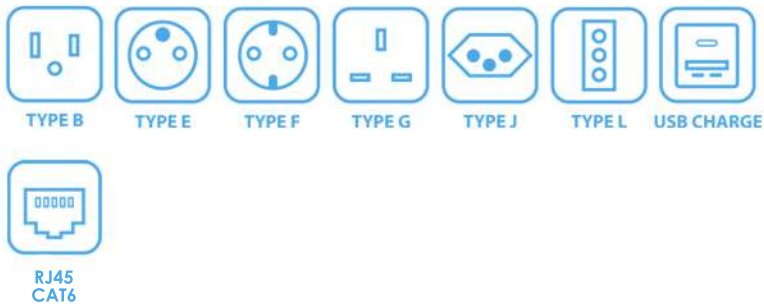
FEATURES

- The unit complies with IEC 60884-1:2002 + A1:2006 + A2:2013
- The module is available in Black, with Black aluminium profile
- Available in variations of sockets, USB charge sockets and RJ45 media connections
- Integrated 3 Pole Connector enables daisy chaining with other compatible products
- When used with ABL Conference Top Access, it is perfectly suitable for meeting rooms
- It is easily installed and fits perfectly into ABL wire basket. Alternatively secured under the desk



UNDER DESK POWER MODULE UDM

AVAILABLE SOCKET TYPES AND MEDIA CONNECTIONS



CONNECT UP TO SIX SOCKETS

ABL's UDM features 3 Pole Connectors which enable daisy chaining with other UDM modules or similar products, with up to six UK Sockets.



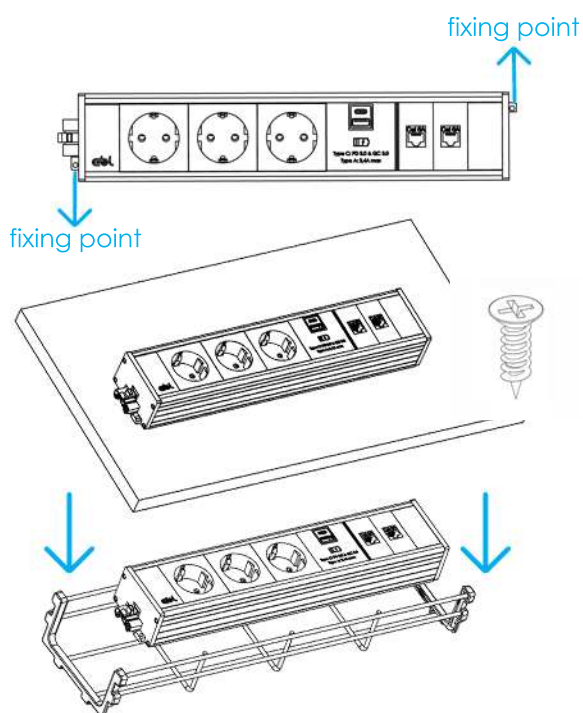
If the module has sockets and USB charge socket only, the Entry and Exit 3 Pole Connectors are placed on the side caps for easy daisy chaining.



If the module has an RJ45 media connector, Female 3 Pole Socket is required for daisy chaining to take place.

UNDER DESK POWER MODULE UDM

INSTALLATION INSTRUCTIONS



OPTION 1 - Fix the module onto a flat surface

1. Check the screw fixing points on the module
2. Fixate using the provided screws according to the designated positions on the fixators

OPTION 2 - Fix the module into a wire basket

Simply place the module into the wire basket

DIMENSIONS

*NOTE - The module length depends on the required configuration

