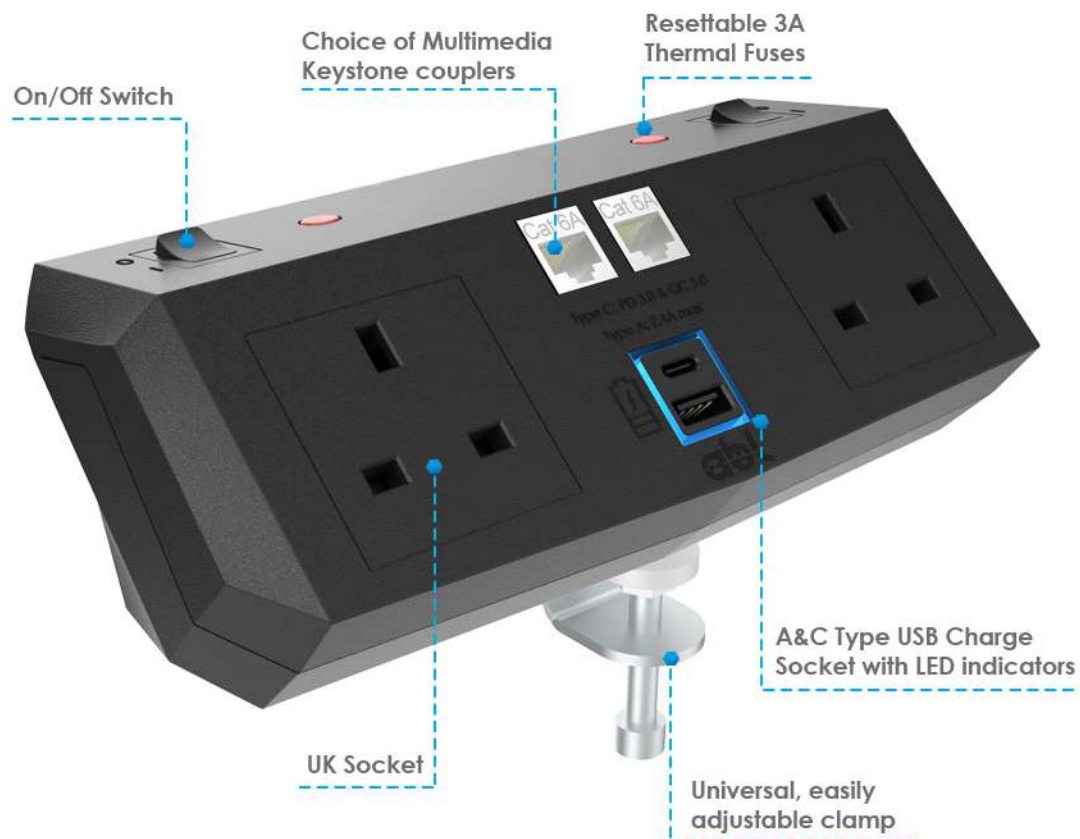


TRM, the Thermal Reset on desk module is the first of its kind manufactured in Europe. Its futuristic appearance will perfectly blend in with any modern office design. Available in a choice of Black or White, with two UK Sockets and a USB Charge Socket, as standard, with the option to fit RJ45, USB and HDMI Keystone couplers. Each Power Supply has its own resettable 3A thermal fuse.



FEATURES

- The unit complies with BS5733
- Available in Black and White
- Two UK Sockets have resettable 3A thermal fuses and individual On/Off switches
- Smart Charge features A+C Type, PD 3.0 & QC 3.0
- Two data blanks can include RJ45 Cat6A, USB 3.0 or HDMI couplers
- The module is supplied with a C-clamp
- Designed to fit desk thickness between 15 and 45 mm
- All standard options come with 0.5m drop lead to 3 Pole Connector

THERMAL RESET ON DESK POWER MODULE
TRM

AVAILABLE SOCKET TYPES AND MEDIA CONNECTIONS



TYPE G



USB CHARGE



RJ45
CAT6A



USB 3.0



HDMI



RJ45
CAT6A



RJ45
CAT6A



RJ45
CAT6A



USB
3.0



USB
3.0



HDMI



HDMI



USB
3.0



RJ45
CAT6A



USB
3.0



USB
3.0



HDMI



HDMI



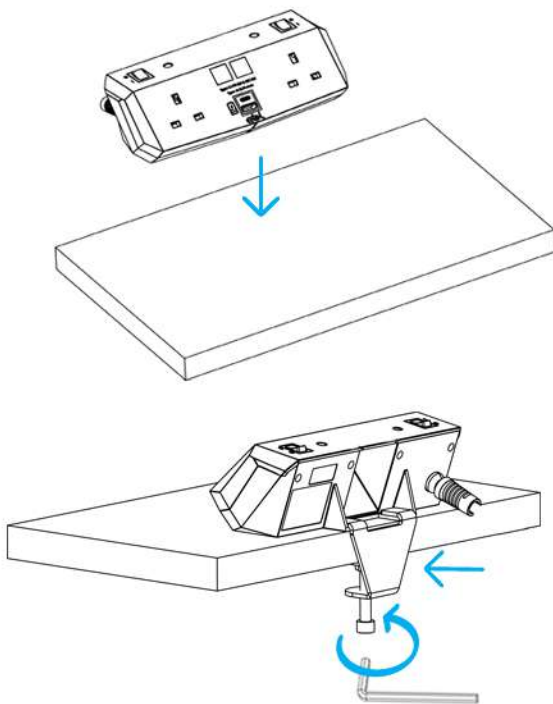
RJ45
CAT6A



HDMI

THERMAL RESET ON DESK POWER MODULE TRM

INSTALLATION INSTRUCTIONS



1. Place the module onto the edge of the desk.

2. Place the clamp onto the back of the module and fixate it using Allen Key.

DIMENSIONS

