

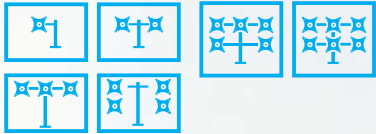
# FSA

## Flat screen monitor arm



The FSA (Flat Screen Arm) monitor arm range has been designed to hold the latest screen technology, allowing the end user to adjust height, angles and viewing preferences, which in return helps employees reap the rewards of correct posture in the workplace.

### AVAILABLE OPTIONS

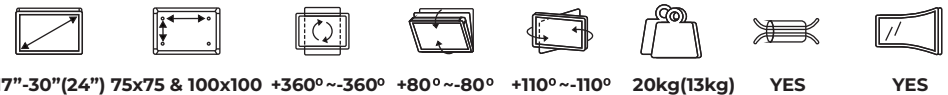


### AVAILABLE COLOURS



## USP

- TWO MOUNTING OPTIONS: CLAMP AND GROMMET FITTING
- CABLE MANAGEMENT CLIPS
- AVAILABLE IN UP TO SIX ARMS AND TOOL RAIL
- LOAD CAPACITY 20KG FOR SINGLE 13KG PER ARM FOR DOUBLE AND 8KG PER ARM FOR THREE OR MORE ARMS



17"-30"(24") 75x75 & 100x100 +360°~-360° +80°~-80° +110°~-110° 20kg(13kg) YES YES

# FSA

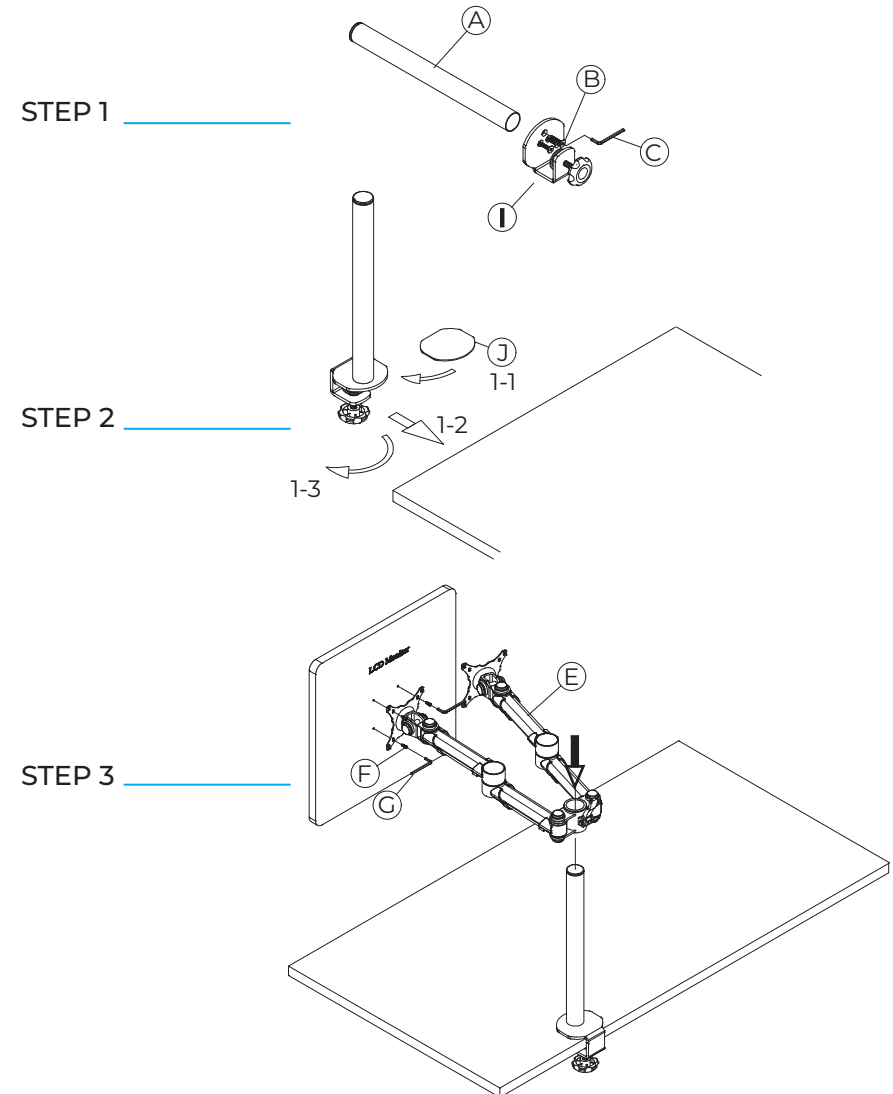
## Flat screen monitor arm



### PRODUCT SPECIFICATION

<b>Product Category:</b>	Mechanical Clamp Monitor Arm
<b>Rank:</b>	Medium
<b>Material:</b>	Aluminium, Plastic, Steel
<b>Surface Finish:</b>	Powder Coated
<b>Colour:</b>	Matt Black, Matt White and Silver
<b>Weight capacity (per screen):</b>	Single: 20kg / Double: 13kg per arm
<b>Arm Full Extension:</b>	Single: 368 mm, Double: 818 mm
<b>Box dimensions:</b>	Single: 530 x 180 x 110mm Double: 620 x 240 x 120mm
<b>Fit screen size:</b>	Single: 17"-30" / Double: 17"-24"
<b>Fit curved monitor</b>	
<b>Suggested desktop thickness:</b>	Clamp: 10~30mm / Grommet: 10~70mm

### INSTALLATION



FSA1BL  
FSA2BL



FSA1WH  
FSA2WH  
FSA1TRWH



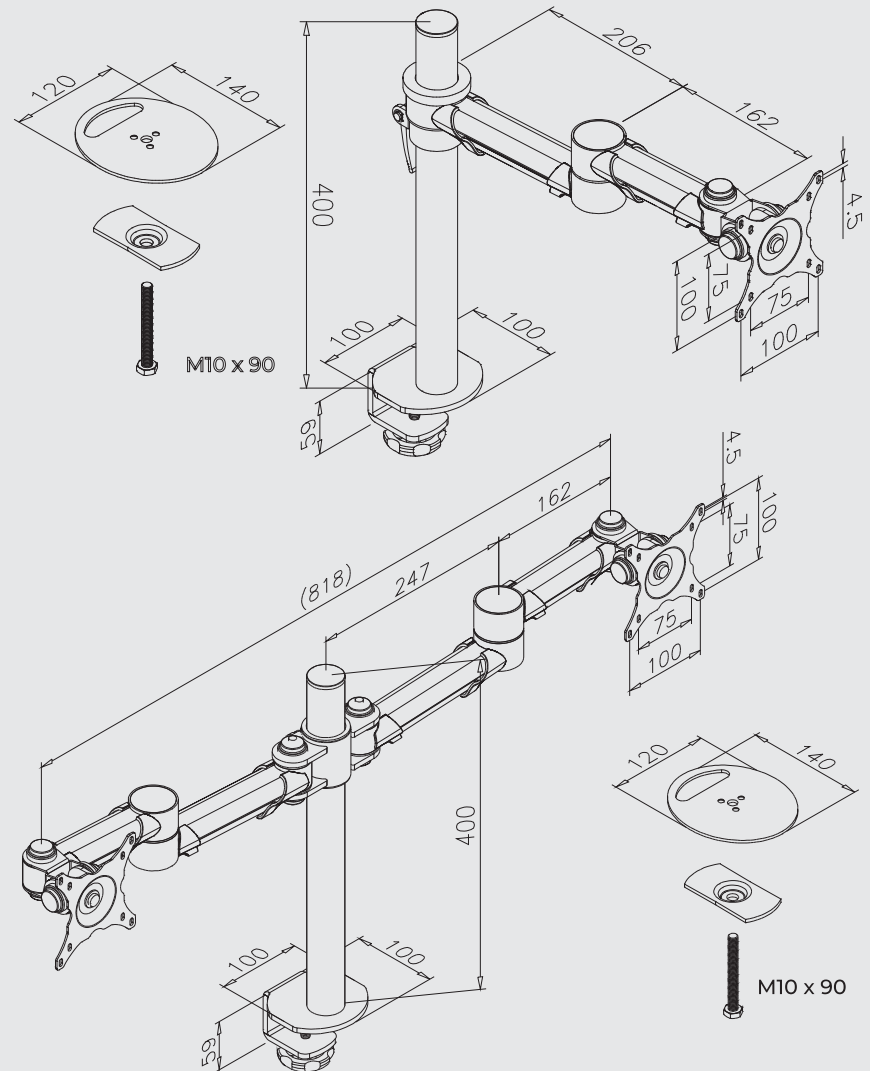
FSA1SR  
FSA2SR  
FSA1TRSR

# FSA

## Flat screen monitor arm



### DIMENSIONS



# FSA

## Flat screen monitor arm



### FSA TOOL RAIL SPECIFICATIONS

**Product Category:** Single Tool Rail  
**Rank:** Medium  
**Material:** Plastic, Steel  
**Surface Finish:** Powder Coated  
**Colour:** Matt White and Matt Silver

**Installation:** Tool Rail  
**Integral cable management:** N/A  
**Quick release VESA plate:** N/A  
**Weight capacity (per screen):** 8 kg  
**Fit curved monitor:** N/A  
**Suggested desktop thickness:** 27"  
**Fit screen size:** 27"  
**Arm Full Extension:** 520 mm  
**Box dimensions:** 370 x 140 x 130mm

#### AVAILABLE OPTIONS



#### AVAILABLE COLOURS:



27"



75x75 & 100x100



+360°~ -360°



+110°~ -110°



+80° ~ -80°



8kg



YES



YES

### DIMENSIONS

