

LINK

UNDER desk power module



Link is an ideal solution designed to seamlessly integrate into any environment. Link is the perfect addition to your workspace, whether it's a bustling headquarters or a cosy small office.

Link may be specified with the full range of interchangeable multimedia connections, fast chargers and country-specific AC power sockets compliant with the relevant international standards.

ABL's Link may also include RCDs, RCBOs or surge protection depending on business requirements.



AVAILABLE SOCKET TYPES:



E TYPE F TYPE G TYPE USB CHARGER

AVAILABLE MEDIA CONNECTIONS:



DATA USB HDMI VGA AUDIO



FASCIAS & END CAPS



BODY



USP

- CERTIFIED IEC 60884-1:2002 + A1:2006, AND IEC 60884-2-7:2011 + A1:2013 (EUROPE), COMPLIES WITH BS 5733
- INTEGRATED 3 POLE CONNECTOR ENABLES DAISY CHAINING WITH OTHER COMPATIBLE PRODUCTS
- AVAILABLE WITH A CHOICE OF COUNTRY-SPECIFIC AC POWER SOCKETS
- AVAILABLE WITH 35W USB A+C CHARGER (PD & QC)
- AVAILABLE WITH THE INTERCHANGEABLE MULTIMEDIA PLATE (IMP)
- AVAILABLE IN BLACK OR WHITE WITH A BLACK OR SILVER ALUMINIUM PROFILE AS A STANDARD
- EASILY INSTALLED. FITS PERFECTLY INTO CONFERENCE TOP ACCESS, WIRE BASKET, OR EASILY SECURED UNDER THE DESK AREA

APPROVALS & CERTIFICATES:



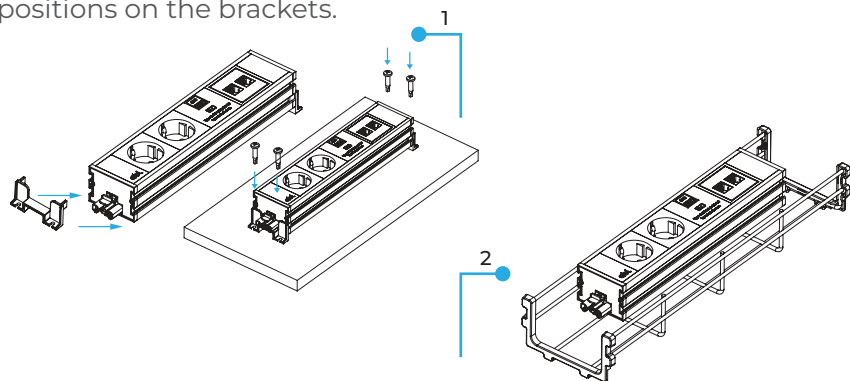


INSTALLATION

OPTION 1 - FIX THE MODULE ONTO A FLAT SURFACE

Slide the brackets into the profile indents.

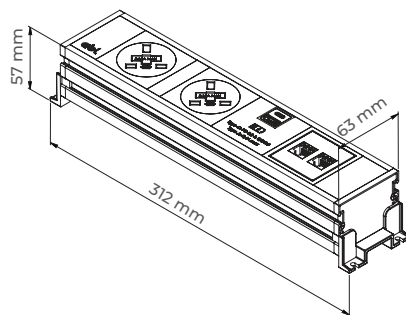
Attach using the provided screws according to the designated positions on the brackets.



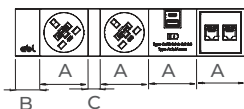
OPTION 2 - FIX THE MODULE INTO A WIRE BASKET

Simply place the module into the wire basket.

STANDARD DIMENSIONS



Legend:



Note: All sockets, except UK and Universal type, are manufactured without half blank plate (C). The module length depends on the required configuration and socket type.

A = 53,2 mm, B = 26,6 mm, C = 13,3 mm

TECHNICAL

Configuration:

Power / Multimedia / USB A+C chargers (PD & QC) / Combined Power and Multimedia in combined units are separated internally

Earthing: Fully earthed

Fusing: (UK sockets only to enable compliance to BS6396) 5mm x 20mm ceramic fuses, with appropriate marking indicating the rating (3.15A/5A). All sockets feature integral, spare fuses patented by ABL. Choice of up to four sockets with 5A fuse, and up to six sockets with 3.15A to comply with BS6396.

Soft Wiring: Power wired to 3 Pole connector allows power cables to be changed to suit requirements, which is especially useful during moves and changes.

Testing: 100% testing - continuity, polarity & earth
Testing of the USB A+C chargers: Output voltages, current and power in all types of charging standard.

All Link power modules are fully manufactured in-house using ISO 9001:2015 quality-controlled practices.

ABL's power modules are tested in accredited laboratories of certification houses twice a year; while in-house quality control testing of each product is completed on every single power module before it leaves the factory.

IMP System: Link power modules are compatible with ABL's Interchangeable Multimedia Plate (IMP) System. Provided with a slot/s, keystone couplers with data and/or media connections can be changed "on-site" depending on business requirements.