

PMK

UNDER desk power module



A cost-effective power distribution module with the safety and quality expected of an ABL power module makes a perfect choice when a business needs power only.

PMK, under the desk power module, is certified with BS5733 and BSI KM 686563.

PMK is available in black colour, optionally in three different configurations, with a choice of F and G type sockets. PMK is supplied with central fixings to enable the module to be screwed to the underside of the desk or the modesty panel as required.



AVAILALE COLOUR: ●

USP

- CERTIFIED WITH THE BSI KITEMARK KM 686563
- THE MODULE IS AVAILABLE IN BLACK ONLY
- AVAILABLE IN TWO, THREE AND FOUR UK OR SCHUKO SOCKETS
- INTEGRATED 3 POLE CONNECTOR ENABLES DAISY CHAINING WITH OTHER PMK MODULES
- EASILY INSTALLED AND FITS PERFECTLY INTO ABL WIRE BASKET

AVAILABLE SOCKET TYPES:



E TYPE

F TYPE

G TYPE

APPROVALS & CERTIFICATES:

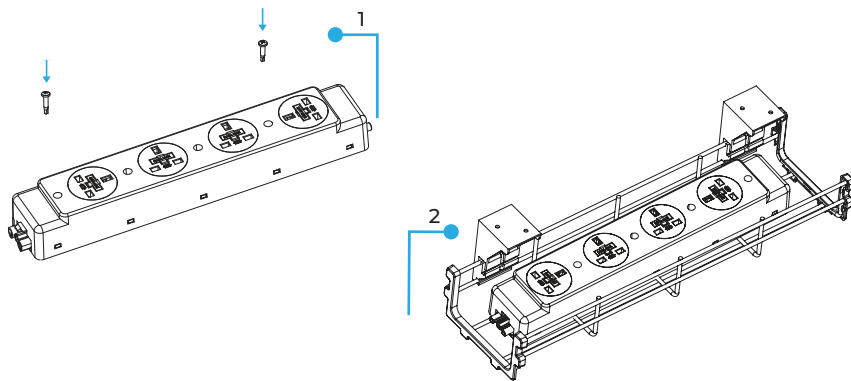




INSTALLATION

OPTION 1 - FIX THE MODULE ONTO A FLAT SURFACE

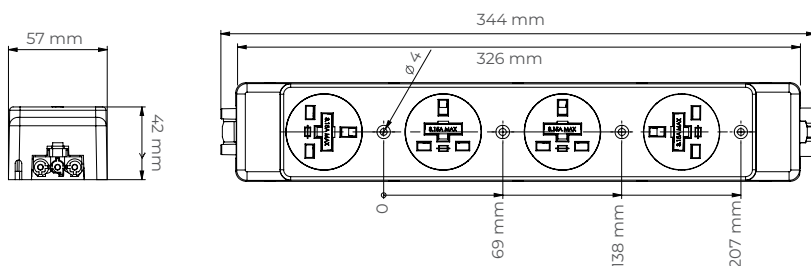
Place the screws according to the designated positions on the module.



OPTION 2 - FIX THE MODULE INTO A WIRE BASKET

Simply place the module into the wire basket.

STANDARD DIMENSIONS



Number of sockets	Length	Width	Height
2	215 mm	57 mm	42 mm
3	279 mm	57 mm	42 mm
4	344 mm	57 mm	42 mm

TECHNICAL

Configuration: Power only

Earthing: Fully earthed

Fusing (UK sockets only to enable compliance to BS6396): 5mm x 20mm ceramic fuses, with appropriate marking indicating the rating (3.15A/5A). All sockets feature integral, spare fuses patented by ABL. Choice of two, three and four sockets with 3.15A or 5A fuse.

Soft Wiring: Power wired to 3 Pole connector allows starter cables to be changed to suit requirements, especially useful during moves and changes.

Testing: 100% testing - continuity, polarity & earth

PMK power modules are fully manufactured in-house using ISO 9001:2015 quality-controlled practices.

ABL's power modules are tested in accredited laboratories of certification houses twice a year; while in-house quality control testing of each product is completed on every single power module before it leaves the factory.