

SIGMA

Spring-assisted monitor arm



The Sigma monitor arm's effortless design enables installer to fit the arm in minutes with the swivel action allowing comfortable positioning by the end user.

AVAILABLE OPTIONS



AVAILABLE COLOURS



USP

- TOP FIX INSTALLATION AND THROUGH DESK BOLT FITTING
- SMOOTH ARM INSERTION: ENSURE EASY INSTALLATION
- BUILT-IN SPRING TENSION GAUGE FOR PERFECT HEIGHT ADJUSTMENTS
- QUICK-RELEASE VESA PLATE: FOR EASY INSTALLATION
- CABLE MANAGEMENT / ALLEN KEY HOLDER



17"-32"(24") 75x75 & 100x100



+90 ° ~-90 ° +90° ~-90° +90° ~-90° 8kg YES YES

SIGMA

Spring-assisted monitor arm



PRODUCT SPECIFICATION

| | |
|--------------------------------------|---|
| Product Category: | Mechanical Spring Monitor Arm |
| Rank: | Premium |
| Material: | Aluminium, plastic, steel |
| Surface Finish: | Powder coated |
| Colour: | Matt black and matt white |
| Weight capacity (per screen): | 0-8kg per arm |
| Arm Full Extension: | 467 mm |
| Box dimensions: | Single: 115 x 561 x 520mm Double: 1044 x 129 x 532mm |
| Fit screen size: | Single: 17"-30" / Double: 17"-24" |
| Fit curved monitor | |



STEP 1



STEP 2

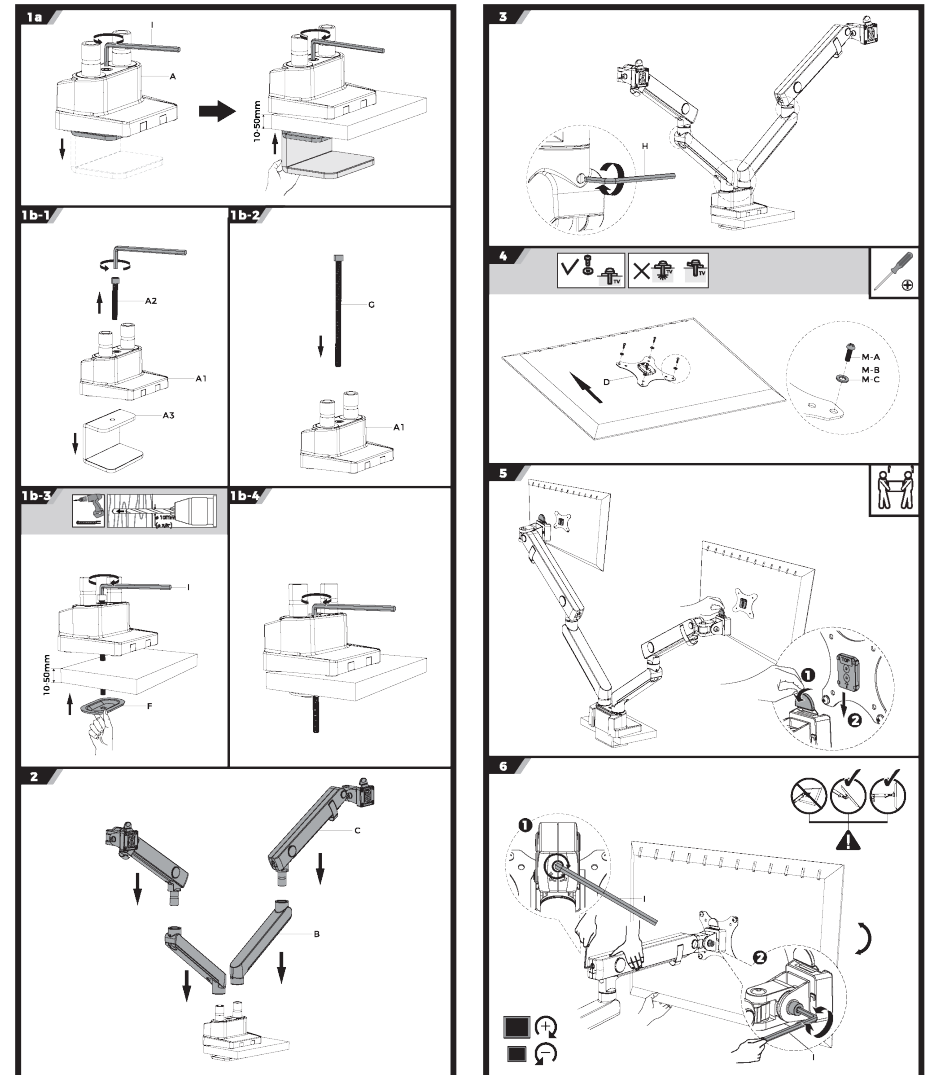
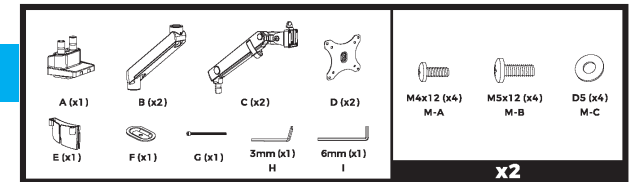


STEP 3

● SIGMA1BL
SIGMA2BL

○ SIGMA1WH
SIGMA2WH

INSTALLATION

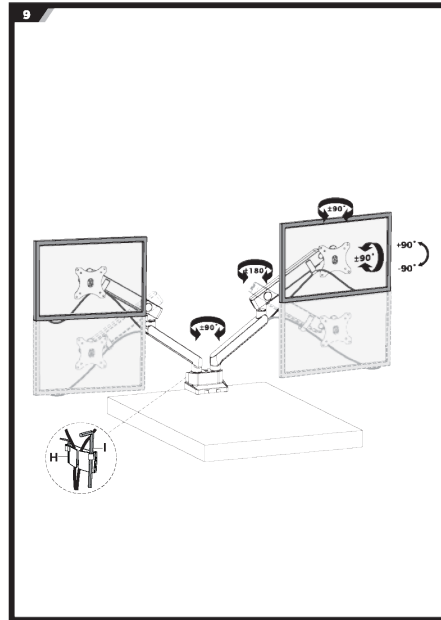
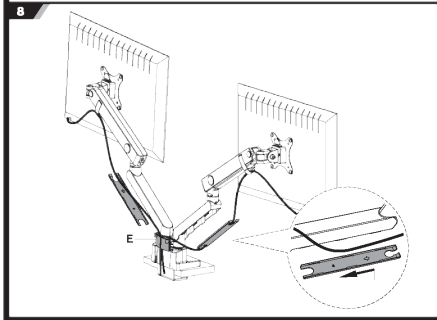
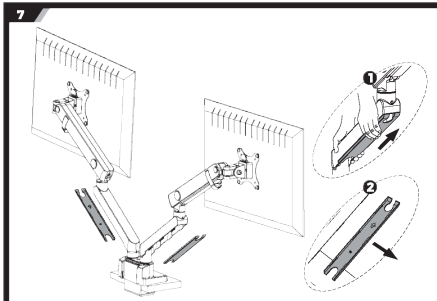


SIGMA

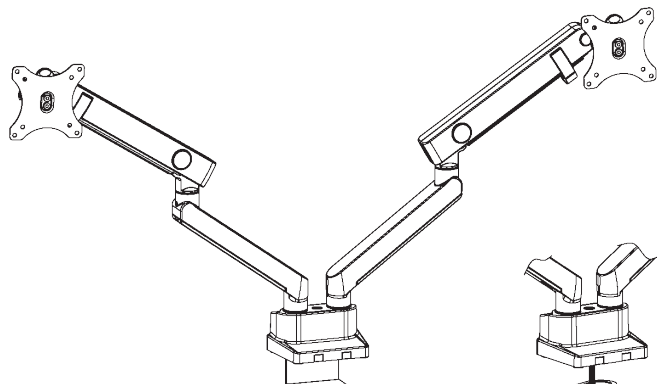
Spring-assisted monitor arm



INSTALLATION



Suggested desktop thickness: Clamp/grommet: 10-50mm



DIMENSIONS

