

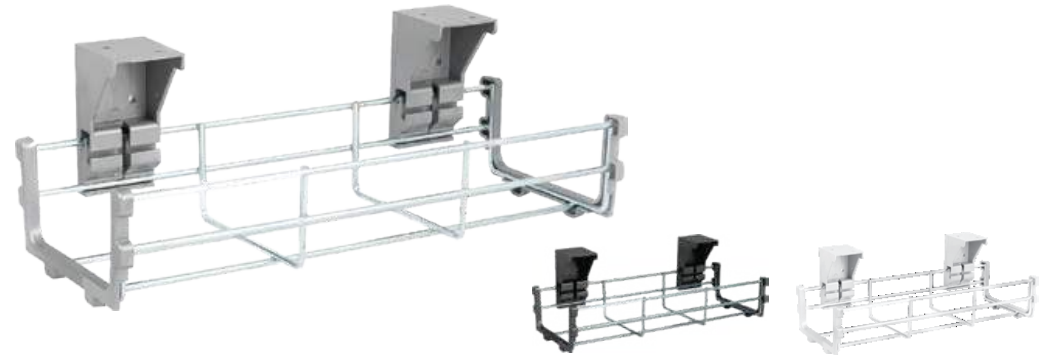
WIRE BASKET

Cable Management



ABL's Wire Basket provides a sleek finish to the office desk and allows a range of cables and our under desk power modules to sit neatly to avoid damages.

Wire Baskets are easy to install via the fixing brackets provided. The chrome finished basket will help keep cables tidy, reduce knots and prevent trip hazards.



AVAILABLE COLOURS:   

*Contact us for more information

USP

- AVAILABLE IN CUT LENGTHS TO SUIT YOUR INDIVIDUAL NEEDS (200MM INCREMENTS STARTING FROM 0.6M TO 1.8M MAX)
- AVAILABLE IN TWO WIDTHS: 100 MM AND 150 MM WIDE
- SUPPLIED COMPLETE WITH SELF-DRILLING SCREWS
- SAFETY SIDE CAPS AVAILABLE IN SILVER, BLACK AND WHITE
- COMES WITH MATCHING PLASTIC FIXINGS ALLOWING ACCESS TO ONE SIDE



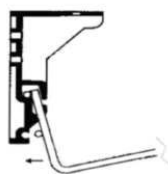


INSTALLATION

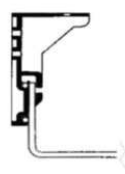
STEP 1.



STEP 2.



STEP 3.



STEP 4.



STEP 5.



The same bracket is used for both:
under desk (top) and modesty panel fixing.

If extra space is needed, for example to access sockets, the basket may be moved to position 5 whilst access is required.

Always return to position 3 when work is completed.

DIMENSIONS

WB0600TS

0.6M WIRE BASKET WITH BRACKETS,
WIDTH 100 MM, SILVER

WB0800TS

0.8M WIRE BASKET WITH BRACKETS,
WIDTH 100 MM, SILVER

WB1000TS

1.0M WIRE BASKET WITH BRACKETS,
WIDTH 100 MM, SILVER

WB1200TS

1.2M WIRE BASKET WITH BRACKETS,
WIDTH 100 MM, SILVER

TECHNICAL

Product Category:

Cable Management

Material:

Galvanised steel,
Plastic fixings and side caps

Colour:

Silver, Black, White

